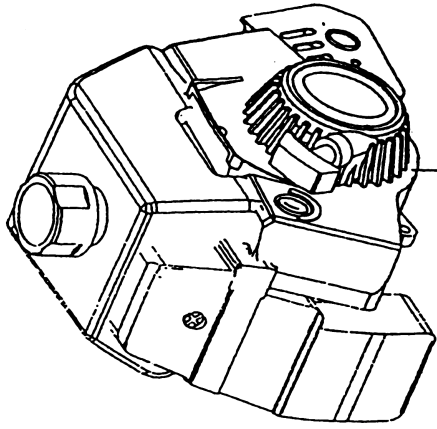


Attached Fig



WP15 WP10

Water Pump parts

