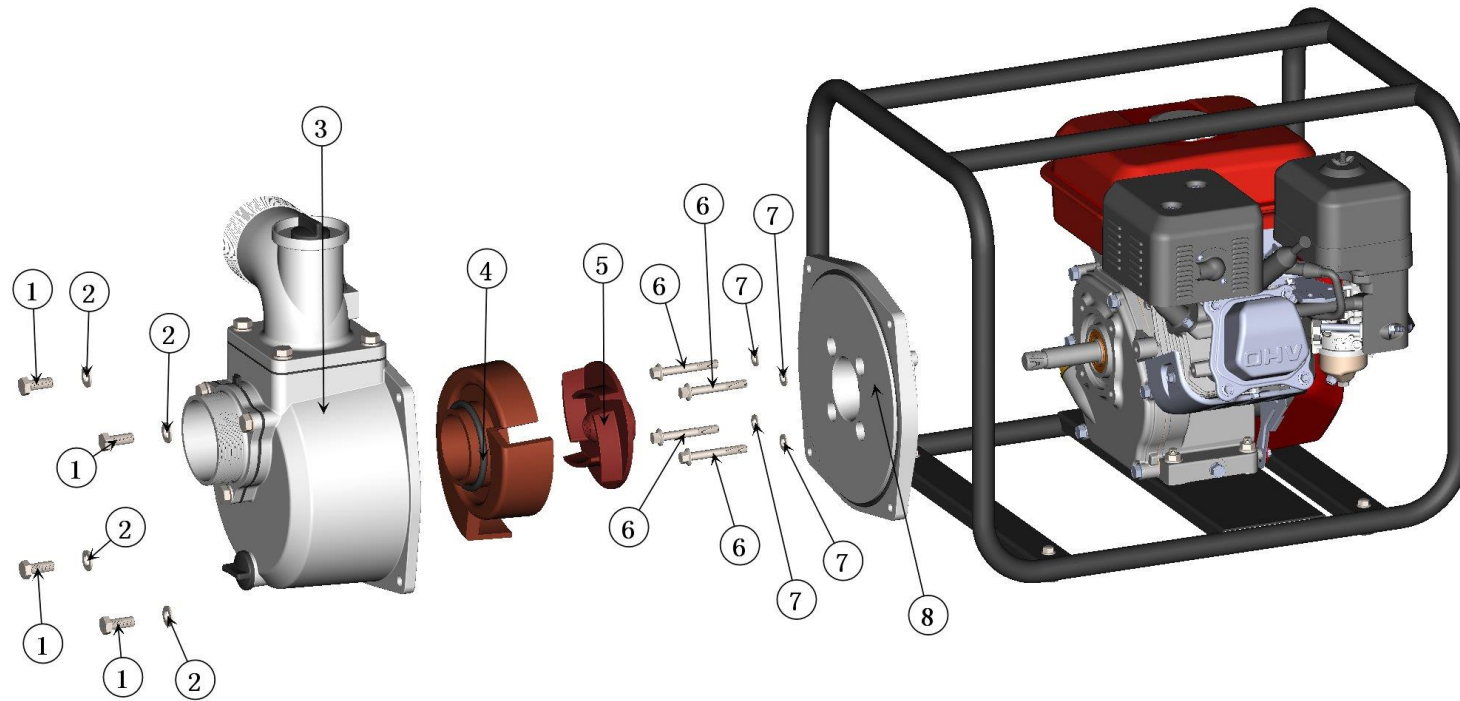
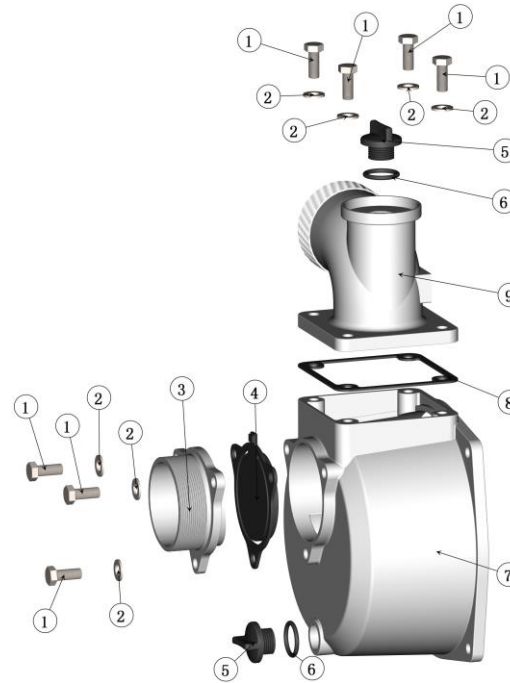


# EXPLODIDA MOTOBOMBA MB65-3



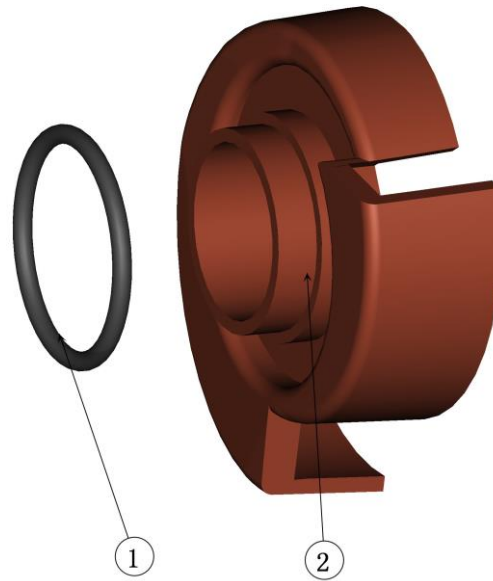
N°	Codigo	Name of parts		Quantity	Price (usd)
		English	Portugues		
1	7898056146956	Bolt flange M10×25	Paraf M10x25 Sext ZNB	4	0.80
2	7898056146659	plain washer Φ10	Arruela Lisa M10 ZNB	4	0.80
3		Pump assy	Carcaça da Bomba Completa	1	17.20
4	793820	Pumping chamber assy	Cobertura do Rotor	1	3.05
5	793821	Impeller assy	Rotor	1	3.20
6	7898056146772	Bolt flange M8×60	Parafuso M8x60 Sext ZNB	4	0.80
7*	7898056146680	plain washer Φ8	Arruela Lisa M8 ZNB	4	0.80
8	793646	Baseboard, pump	Tampa da Carcaça MB65/3	1	5.00

## EXPLODIDA MOTOBOMBA MB65-3



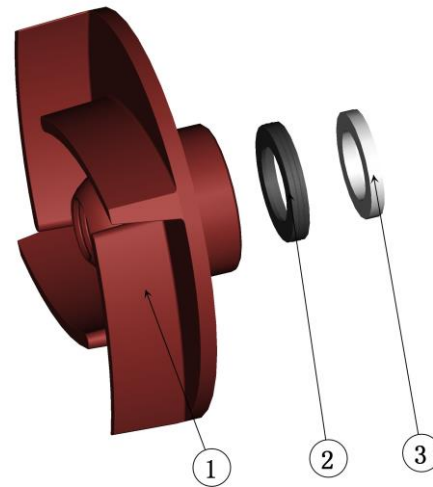
Nº	Codigo	Name of parts		Quantity	Price (usd)
		English	Portugues		
1	7898056146956	Bolt flange GB5783-M10X25	Parafuso M10x25 Sext ZNB	8	1.50
2	7898056146659	plain washer Φ10	Arruela Lisa M10 ZNB	8	1.50
9		Inlet(pf)	Flange Sucção	1	2.10
10		Seal ring casing	Valvula Sucção	1	0.85
11*		Cap filer	Tampa Dreno Abastecimento	2	0.25
12*		O-ring	Anel da Tampa do Dreno 1'	2	0.05
13		Casing	Carcaça da Bomba	1	7.20
14		Packing outlet	Junta Flange Saída	1	0.25
15		Outlte(pf)	Flange Saída	1	3.50

# EXPLODIDA MOTOBOMBA MB65-3



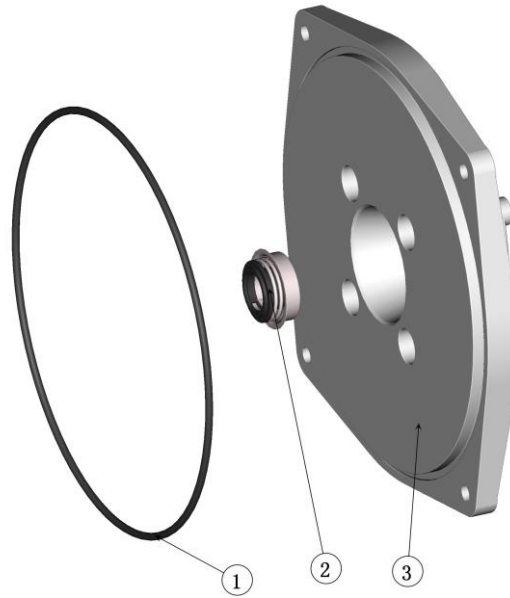
N°	Codigo	Name of parts		Quantity	Price (usd)
		English	Portugues		
16	793831	Case volute ring	Anel do Rotor 3' MB65/3	1	0.25
4	793820	Case volute	Cabertura do Rotor	1	2.80

# EXPLODIDA MOTOBOMBA MB65-3



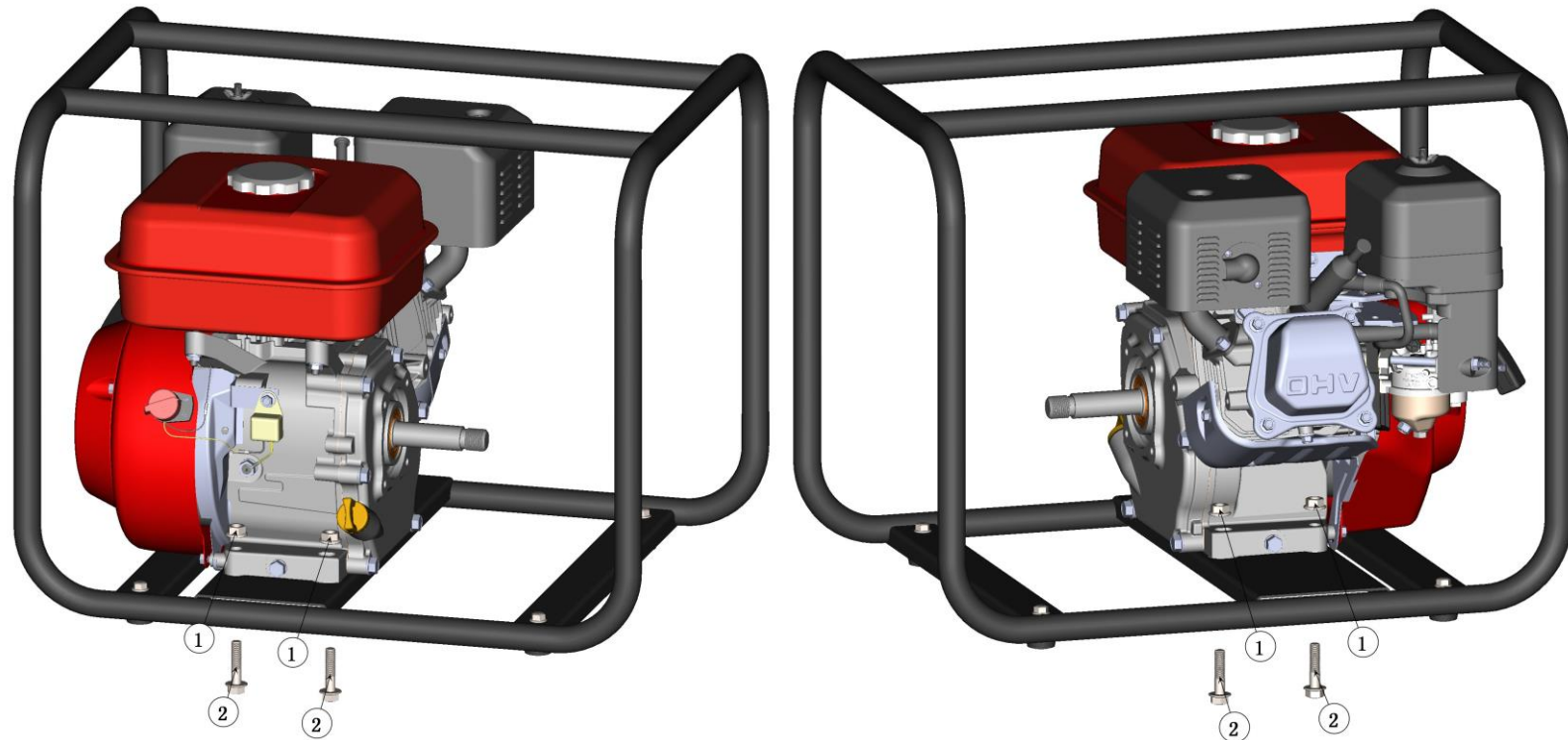
N°	Codigo	Name of parts		Quantity	Price (usd)
		English	Portugues		
5	793821	Impeller	Rotor	1	2.20
17	793615	Water Seal (1)	Selo Mecanico Completo (1)	1	0.50
17	793615	Water Seal (2)	Selo mecanico Completo (2)	1	0.50

# EXPLODIDA MOTOBOMBA MB65-3



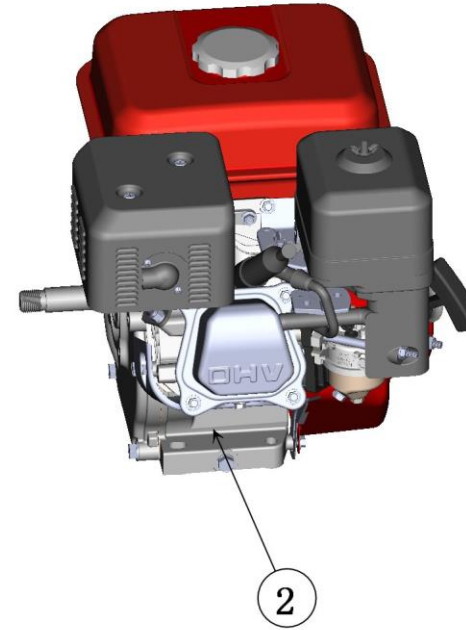
N°	Codigo	Name of parts		Quantity	Price (usd)
		English	Portugues		
18	793834	Ring	Anel Tampa da Carcaça 230mm	1	0.30
17	793615	Water Seal(3)	Selo Mecanico Completo (3)	1	0.50
8		Cover casing	Tampa da Carcaça	1	4.20

# EXPLODIDA MOTOBOMBA MB65-3



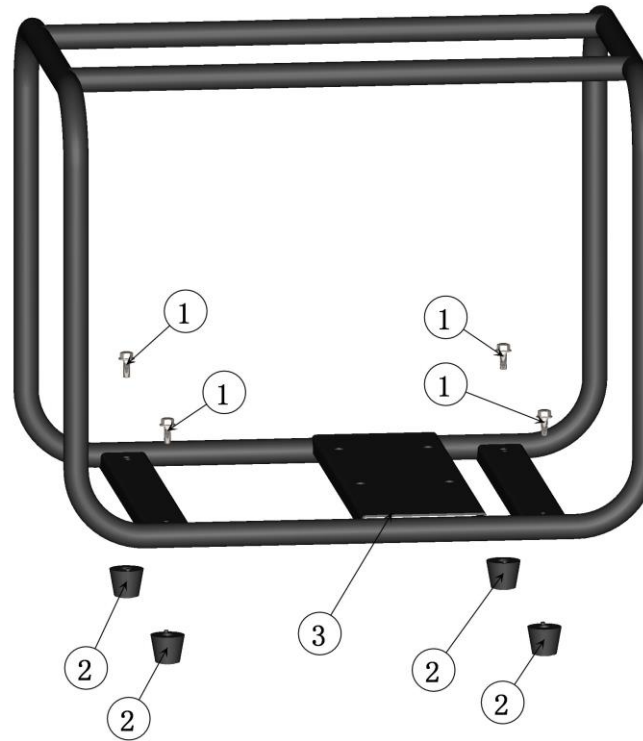
N°	Codigo	Name of parts		Quantity	Price (usd)
		English	Portugues		
19*		Nut flange M8	Porca M8	4	0.40
20*		Bolt flange M8×35	Parafuso Sextavado M8x35	4	0.80

# EXPLODIDA MOTOBOMBA MB65-3



N°	Codigo	Name of parts		Quantity	Price (usd)
		English	Portugues		
21		Frame comp pump	Quadro	1	7.80
22	7898056151783	Engine ASSY	Motor	1	

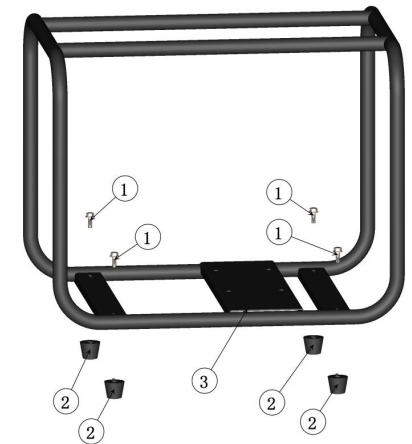
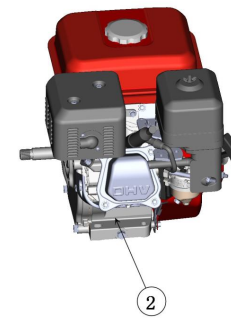
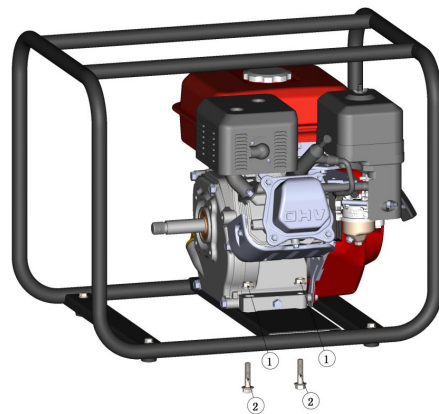
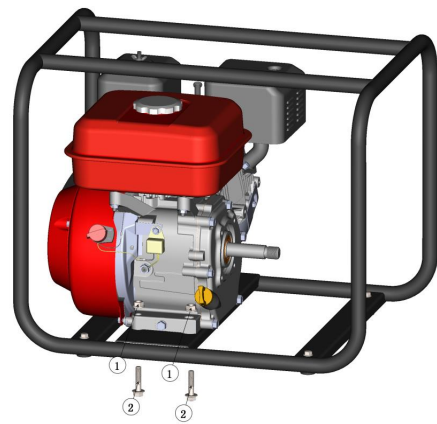
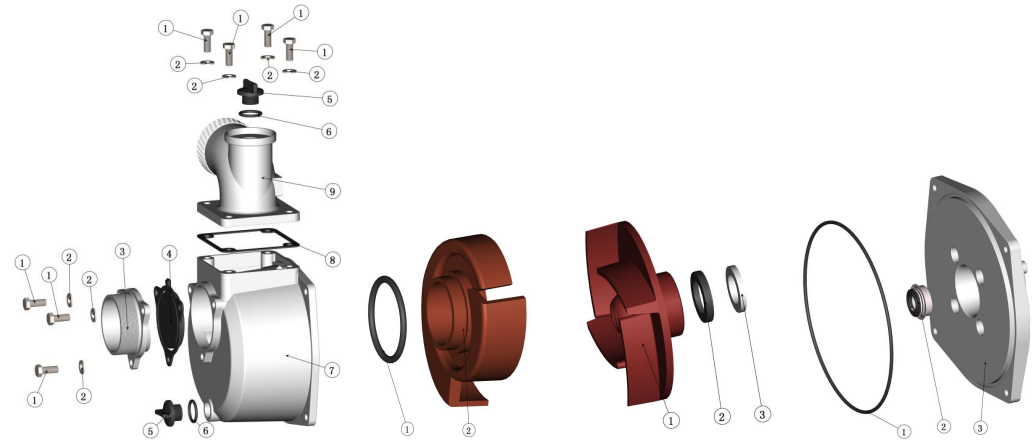
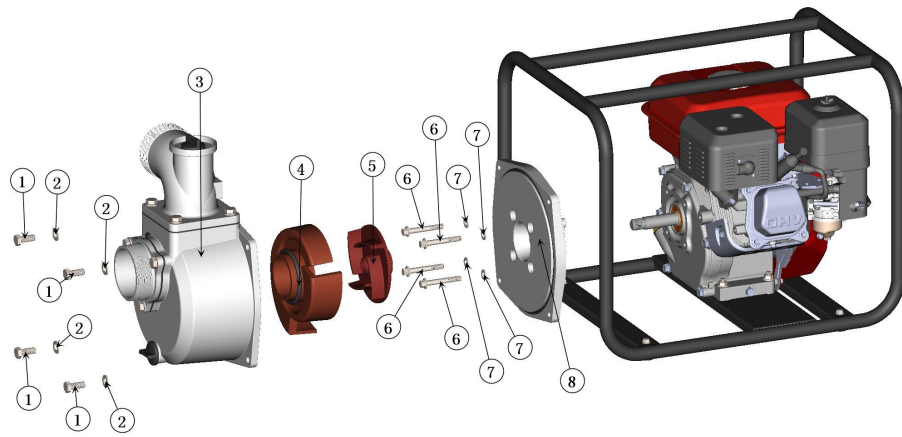
# EXPLODIDA MOTOBOMBA MB65-3



N°	Codigo	Name of parts		Quantity	Price (usd)
		English	Portugues		
23*		Bolt flange M6×16	Parafuso Sextavado M6x16	4	0.80
24*		Rubber bottom	Coxim	4	0.40
21		Frame	Quadro	1	7.80



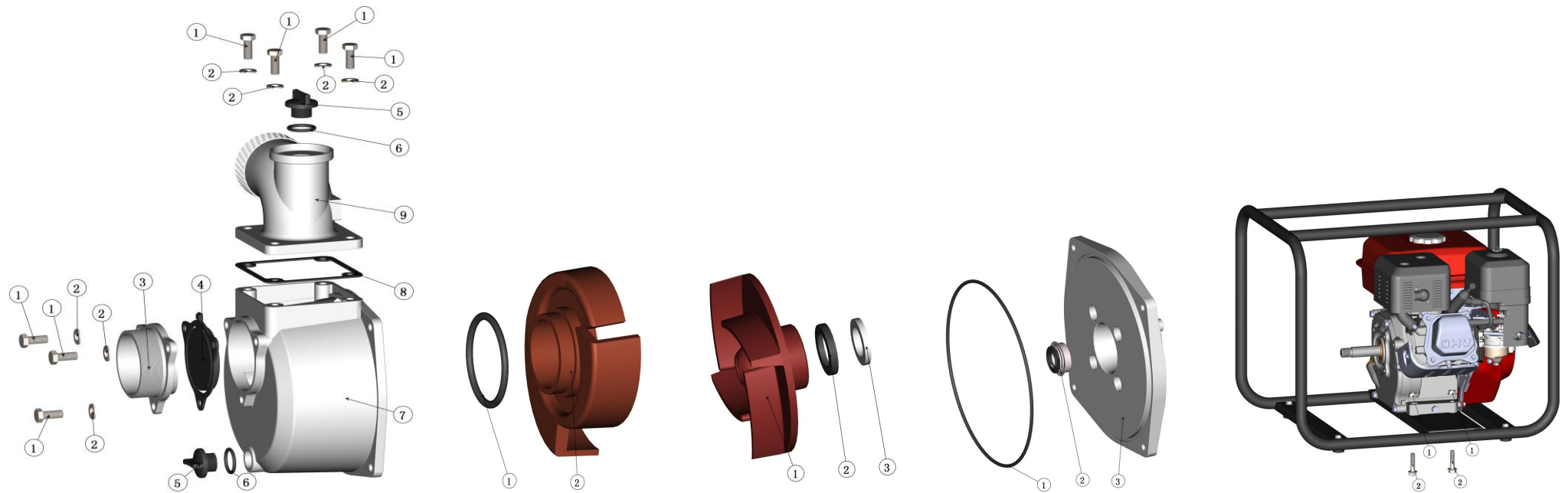
# EXPLODIDA MOTOBOMBA MB65-3



## EXPLODIDA MOTOBOMBA MB65-3

Nº	Codigo	Name of parts		Quantity	Price (usd)
		English	Portugues		
1	7898056146956	Bolt flange M10×25	Parafuso M10x25 Sext ZNB	8	0.80
2	7898056146659	plain washer Φ10	Arruela Lisa M10 ZNB	12	0.80
3		Pump assy	Carcaça da Bomba Completa	1	17.20
4	793820	Pumping chamber assy	Cobertura do Rotor	1	3.05
5	793821	Impeller assy	Rotor	1	3.20
6	7898056146772	Bolt flange M8×60	Parafuso Sextavado M8x60 ZNB	4	0.80
7*	7898056146680	plain washer Φ8	Arruela Lisa M8 ZNB	4	0.80
8	793646	Baseboard, pump	Tampa da Carcaça MB65	1	5.00
9		Inlet(pf)	Flange Sucção	1	2.10
10		Seal ring casing	Valvula Sucção	1	0.85
11*		Cap filer	Tampa Dreno Abastecimento	2	0.25
12*		O-ring	Anel da Tampa do Dreno 1'	2	0.05
13		Casing	Carcaça da Bomba	1	7.20
14		Packing outlet	Junta Flange Saída	1	0.25
15		Outlte(pf)	Flange Saída	1	3.50
16	793831	Case volute ring	Anel do Rotor 3'MB65/3	1	0.25
17	793615	Water Seal (1)	Selo Mecanico Completo (1)	1	0.50
17	793615	Water Seal (2)	Selo mecanico Completo (2)	1	0.50
17	793615	Water Seal(3)	Selo Mecanico Completo (3)	1	0.50
18		Ring	Anel Tampa da Carcaça 230mm	1	0.30
19*		Nut flange M8	Porca M8	4	0.40
20*		Bolt flange M8×35	Parafuso Sextavado M8x35	4	0.80
21		Frame comp pump	Quadro	1	7.80
22	7898056151783	Engine ASSY	Motor	1	
23*		Bolt flange M6×16	Parafuso Sextavado M6x16	4	0.80
24*		Rubber bottom	Coxim	4	0.40

# EXPLODIDA MOTOBOMBA MB65-3



## EXPLODIDA MOTOBOMBA MB65-3

Nº	Codigo	Name of parts		Quantity	Price (usd)
		English	Portugues		
1	7898056146956	Bolt flange M10×25	Parafuso M10x25 Sext ZNB	8	0.80
2	7898056146659	plain washer Φ10	Arruela Lisa M10 ZNB	12	0.80
3		Inlet(pf)	Flange Sucção	1	2.10
4		Seal ring casing	Valvula Sucção	1	0.85
5*		Cap filer	Tampa Dreno Abastecimento	2	0.25
6*		O-ring	Anel da Tampa do Dreno 1'	2	0.05
7*		Casing	Carcaça da Bomba	1	7.20
8		Packing outlet	Junta Flange Saída	1	0.25
9		Outlte(pf)	Flange Saída	1	3.50
10	793831	Case volute ring	Anel do Rotor 3' MB65/3	1	0.25
11	793820	Pumping chamber assy	Cobertura do Rotor	1	3.05
12	793821	Impeller assy	Rotor	1	3.20
13	793615	Water Seal (1)	Selo Mecanico Completo (1)	1	0.50
13	793615	Water Seal (2)	Selo mecanico Completo (2)	1	0.50
13	793615	Water Seal(3)	Selo Mecanico Completo (3)	1	0.50
14	793834	Ring	Anel Tampa da Carcaça 230mm	1	0.30
15	7898056146772	Bolt flange M8×60	Parafuso Sextavado M8x60 ZNB	4	0.80
16	793646	Baseboard, pump	Tampa da Carcaça MB65/3	1	5.00
17		Frame comp pump	Quadro	1	7.80
18	7898056151783	Engine ASSY	Motor	1	
19*		Nut flange M8	Porca M8	4	0.40
20*		Bolt flange M8×35	Parafuso Sextavado M8x35	4	0.80
21		Rubber bottom	Coxim	4	0.40